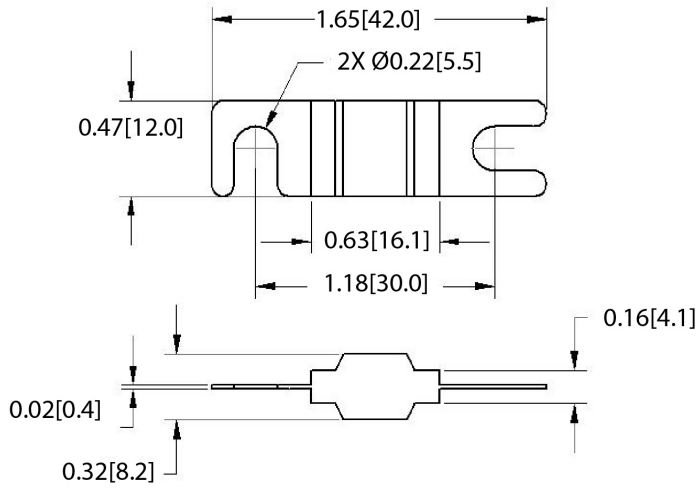
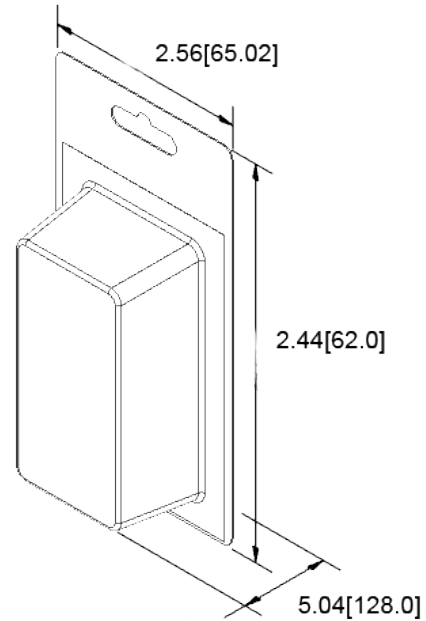


## Mechanical Dimensions: Inches [mm]

Unless otherwise specified all tolerances are +/- 0.02in (0.5mm)



## Retail Pack: Inches [mm]



## Part Numbers Information

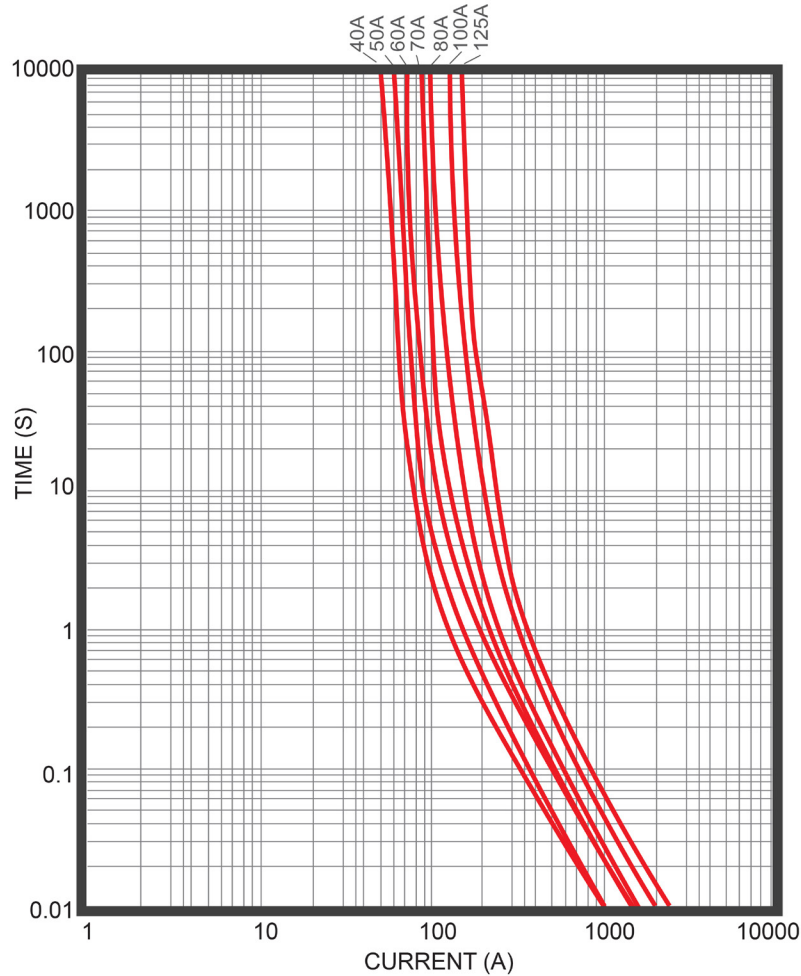
Amperage	Bulk Part Number	Retail Pack # Blister Card	Pack Size	Color	Nominal Cold Resistance (mΩ)
30	MID-30A	MID-30A-BP	1	Orange	N/A
40	MID-40A	MID-40A-BP	1	Green	1.3
50	MID-50A	MID-50A-BP	1	Red	1.04
60	MID-60A	MID-60A-BP	1	Yellow	0.87
70	MID-70A	MID-70A-BP	1	Brown	0.72
80	MID-80A	MID-80A-BP	1	Clear	0.56
100	MID-100A	MID-100A-BP	1	Blue	0.45
125	MID-125A	MID-125A-BP	1	Pink	0.4
150	MID-150A	MID-150A-BP	1	Gray	0.33
175	MID-175A	MID-175A-BP	1	Tan	N/A
200	MID-200A	MID-200A-BP	1	Violet	N/A

## Electrical Specifications

Voltage Rating	32VDC
Interrupting Rating	1000A @ 32VDC
Operating Temperature	-40°C ~ 125°C

## Material Specifications

**Time-Current Curve**



Opening Time		
% of Rated Current	Min	Max
100%	100 hr.	-
110%	4 hr.	-
150%	60s	3600s
200%	1s	100s
300%	.03s	15s

\*Graphical data is for reference only. Product should be tested in all applications before use.

Rev	Date of issue	Revision Notes	Designed	Approved
D	06-28-24	Updated to New Style	RC	OF